

Loopwheels for Wheelchairs: Loopwheels Urban and Extreme

Quick guide

EN

Thank you for choosing Loopwheels™. We wish you much enjoyment on your wheels.

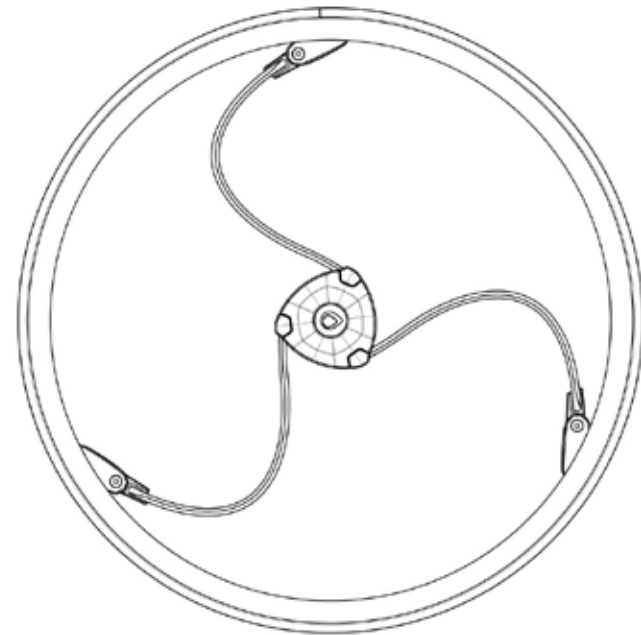
BEFORE using this product, read this quick guide AND consult the full user manual for your Loopwheels

Both documents are on our website <https://loopwheels.com/technical/user-manual/>

Read the safety and maintenance information in our User Manual. In particular, do not exceed speed limits of 25 km/h.

Dealers: *This manual MUST be given to the user of the product.*

Do NOT attempt to change bearings without specific advice from info@loopwheels.com, as our bearings are fixed into the wheels.



Contents:

1. Safety
2. Product Identification
3. Components
 - 3.1 Overview of Components
 - 3.2 Note on bearings
4. Accessories
 - 4.1 Tyres
 - 4.2 Spacers
5. Fitting Loopwheels to your Wheelchair
 - 5.1 Camber
 - 5.2 Fitting Loopwheels to your wheelchair for the first time
 - 5.3 Removing Loopwheels from your wheelchair
6. Maintenance Schedule

1. Safety

General safety advice for using a wheelchair applies. Follow this advice to ensure your personal safety and that of others around you when using Loopwheels.

⚠ WARNING

At high speed you could lose control of your wheelchair and overturn.

- Don't exceed the statutory and advisory speed limit for the place you are in and in any event don't exceed speeds of 25km per hour .
- Avoid collisions in general.

⚠ WARNING

Risk due to driving style being unsuitable for the conditions

- There is a risk of skidding on wet ground, gravel or uneven terrain.
- Always adjust your speed and driving style to the conditions (weather, surface, individual ability and experience).

⚠ WARNING

Loopwheels™ are not intended for use for passenger transport in a motor vehicle.
- Transfer into a fitted vehicle seat.

⚠ WARNING

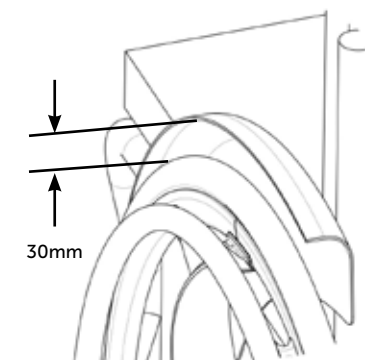
Risk of serious injury from unexpected wheel braking

- Loopwheels™ must not be used with a rigid guard over the top of the tyres unless there is a gap of 30mm between the guard and the tyre. There is a risk that, whilst moving, the wheels could touch the guard and cause sudden braking.
- Check there is a space of 30mm above the tyre at all times

⚠ CAUTION

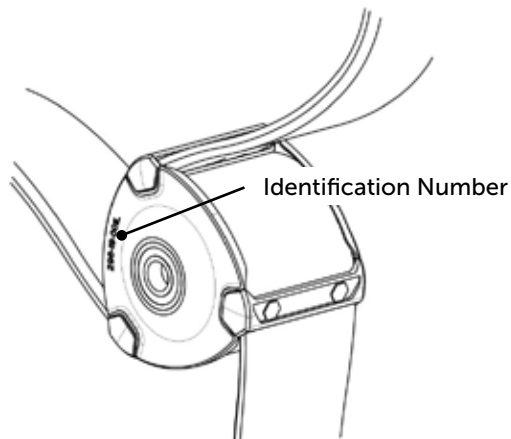
There is a risk of getting fingers, arms or items of clothing caught in the moving wheel, between the wheel and the chair, or in removable parts such as the axle.

- Make sure when fitting and using Loopwheels™ that nothing becomes caught.



2. Product Identification

Each wheel has a unique identification number on the hub to enable traceability.

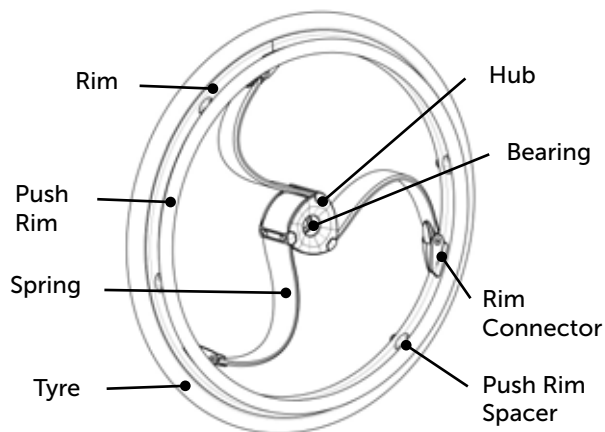


3. Components

3.1 Overview of components

Loopwheels™ Urban and Loopwheels™ Extreme are wheels with integral suspension for use with manual wheelchairs.

Each wheel comprises the following components:



Your wheel may differ slightly from the diagram as each Loopwheel is manufactured individually to the specifications in the order.

3.2 Note on bearings



The bearings are fixed and bonded into the wheel hub.

DON'T ATTEMPT TO REMOVE OR CHANGE THE BEARINGS YOURSELF!

Seek advice from us about the correct procedure for removing bearings from Loopwheels™.

4. Accessories

4.1 Tyres

We recommend a pneumatic tyre such as Schwalbe® Marathon Plus tyres for use with Loopwheels™.

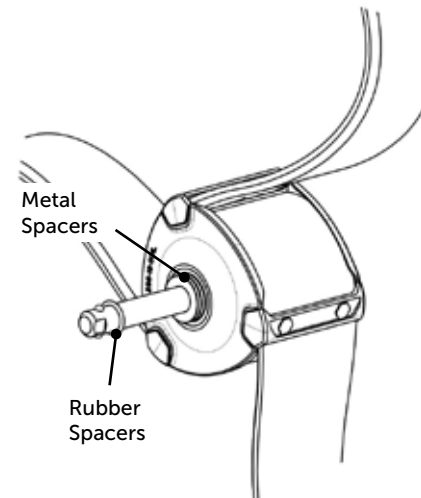
We do NOT recommend the use of solid tyres: this will invalidate your warranty.

For a Loopwheel Urban, you need a tyre size ETRTO 25-540 or 24 x 1.00 inch

For a Loopwheel Extreme, you need a tyre size ETRTO 47-507 or 24 x 1.75 inch

4.2 Spacers

We provide 2 stainless steel and 1 rubber spacer with each Loopwheel. This helps ensure a snug fit of the wheels on your wheelchair and helps prevent the wheels touching the chair. Depending on the model and specification of your chair, you may or may not need to use these.



5. Fitting Loopwheels™ to your wheelchair.

5.1 Camber

Camber is the angle or slope at which your wheels are mounted to your chair. Each additional degree of camber adds 1cm to the width of each side of your chair. But greater camber adds stability, better turning and more space for your hands. To some extent this is a personal choice. BUT:

- We recommend an optimum camber of 6 to 8 degrees for Loopwheels™ Urban and Extreme.
- Loopwheels™ must not be mounted at a camber angle that exceeds 12 degrees.

5.2 Fitting Loopwheels™ to your wheelchair for the first time

Note: you must sit somewhere other than your wheelchair to remove your old wheels and to fit Loopwheels™!

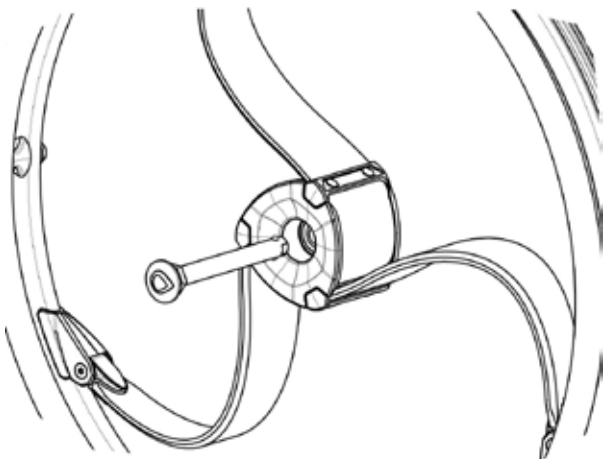
STEP 1. Release the brakes.

STEP 2. With one hand, hold the wheelchair upright.

STEP 3. With the other, remove your old wheels from the wheelchair by pressing the centre of the axle.

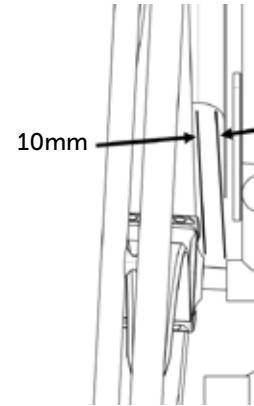
STEP 4. Remove the existing axles from your old wheels. You can choose to re-use these or use new axles with your Loopwheels™.

STEP 5: Push one axle into each Loopwheel™ from the outward facing side of the wheel.

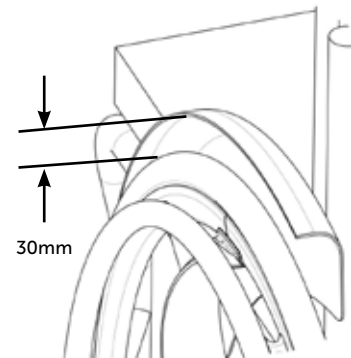


STEP 6. Insert the axle (with the wheel on it) into the axle housing on your wheelchair, one side at a time.

STEP 7: Rotate the wheel slowly to check that no part of the Loopwheel™ touches or rubs the frame of the chair. We recommend a minimum clearance of 10mm at all points.



In addition, there must be a space of at least 30mm above the wheel.

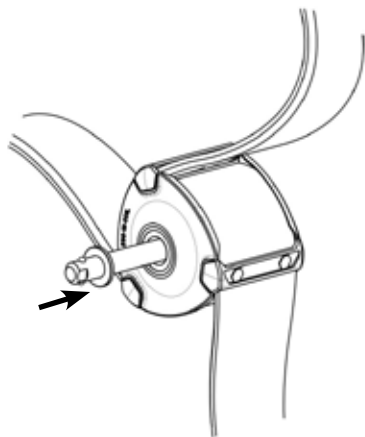


If the clearance is good, move to STEP 11.

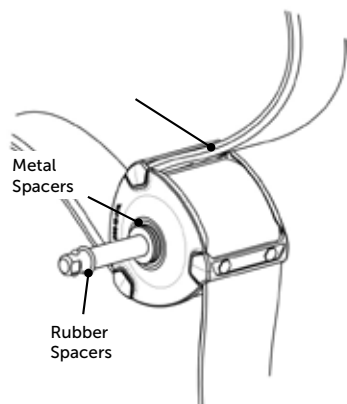
If there is a clash or not enough clearance, move to STEP 8.

STEP 8: Remove the Loopwheel from the chair, place one of the steel spacers onto the axle from the INNER side of the wheel. This will move the Loopwheel further away from the wheelchair frame.

Repeat Steps 7 and 8 up to a maximum of 3 times until there is the correct amount of clearance between the wheel and the frame of the chair.



STEP 9: Secure the steel spacers in place by sliding the rubber washer onto the Loopwheel™ axle.



STEP 10: Replace the wheels onto the chair.

STEP 11: Check that the removable axles are fully engaged in the axle housing of the wheelchair.

STEP 12: Check that the brakes still engage properly with the tyre. If they do not, seek advice from your wheelchair supplier or therapist on re-positioning the brakes.

5.3 Removing Loopwheels™ from your wheelchair

STEP 1. Release the brakes.

STEP 2. With one hand, hold the wheelchair upright.

STEP 3. With the other, hold the wheel around the wheel hub.

STEP 4. Using your thumb, press the removable axle button and hold it down.

STEP 5. Pull the axle out of the wheelchair axle housing

6. Maintenance Schedule

To ensure safe and reliable operation, carry out the following checks and maintenance regularly, or have the checks carried out by another person.

	Weekly	Monthly	Annually
Visual Check	X		
Check Loopwheel Springs visually and for any change in sound		X	
Check the push rims aren't working loose from the rim	X		
Have your wheelchair and wheels checked by a specialist dealer			X
Check the tyre pressure	X		
Check that Loopwheels™ are seated correctly and axles secure	X		
Check the parking brakes		X	

Visual Check

1. Examine your wheels weekly for loose parts, cracks or other signs of wear and tear.

Check the springs of your Loopwheels™

1. Examine the springs for any signs of wear, cracks, looseness or other defects.
2. Listen for any new clicking or creaking sound from the wheels as they turn.

If you find anything different from usual, have your wheels checked immediately by your Loopwheels™ dealer or contact info@loopwheels.com.

Consult our user manuals for full safety and maintenance information. You can find these on our website at <https://loopwheels.com/technical/user-manual/>

Now enjoy getting out with your Loopwheels™!



© 2021 Jelly Products Ltd All rights reserved. Republication, duplication or modification in whole or in part is prohibited without prior written permission from Jelly Products Ltd. The name Loopwheels™ and the Loopwheels™ logo are registered Trade Marks owned by Jelly Products Ltd.

The information in this quick start guide may be subject to change without notice. Please refer to our user manual for more detailed product information on Loopwheels and trouble-shooting at <https://loopwheels.com/technical/user-manual/>

		<p>This product complies with Directive 93/42/EEC concerning medical devices. The launch date of this product is stated in the CE declaration of conformity. This product has been assessed for conformity with relevant UK legislation and the manufacturer is registered with the Medicines and Healthcare products Regulatory Authority (MHRA). Manufacturer: Jelly Products Ltd. Unit 202 Boughton Industrial Estate, Newark, Nottinghamshire, NG22 9LD, UK. Registered company no: 06012537 VAT registration: GB915 6852 07 Email: info@loopwheels.com</p>
---	---	--